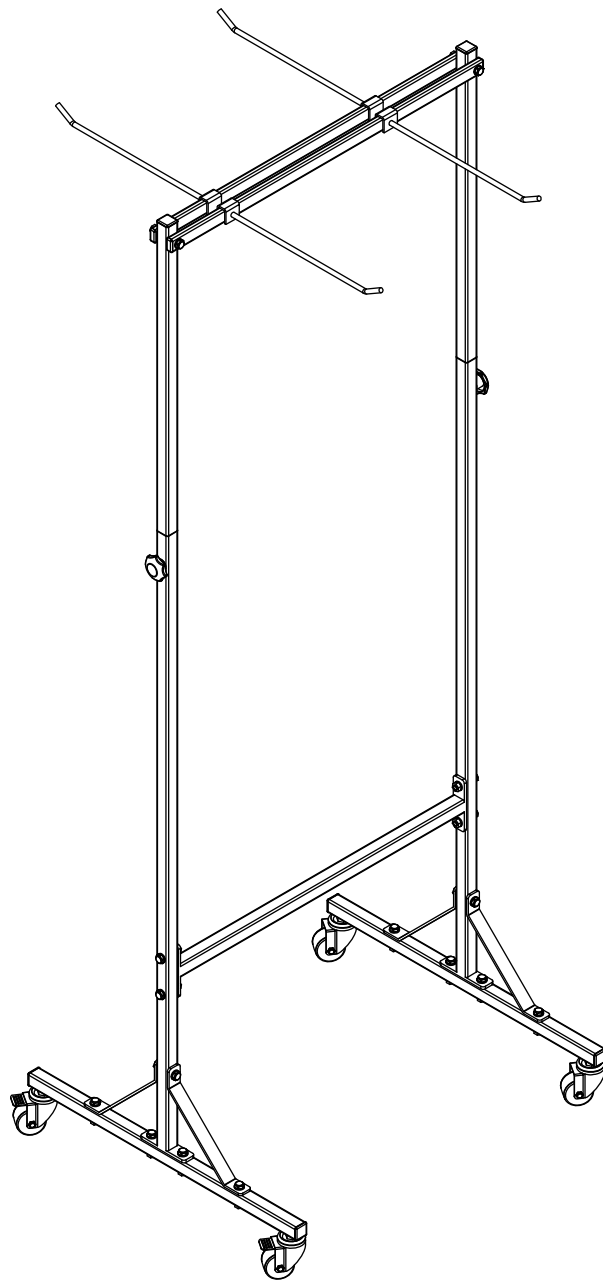


# GORILLA SPORTS

MAT RACK

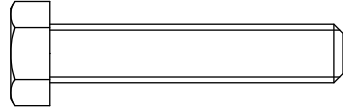
100920



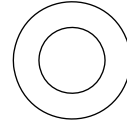


# GORILLA SPORTS

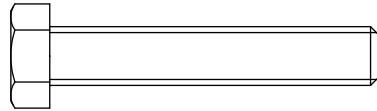
## HARDWARE PACK



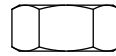
M8\*40 - 12PCS



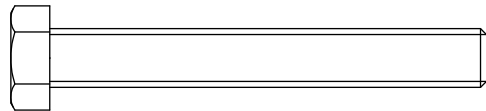
Washer 8 - 32PCS



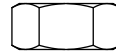
M8\*45 - 2PCS



Nut M8 - 16PCS



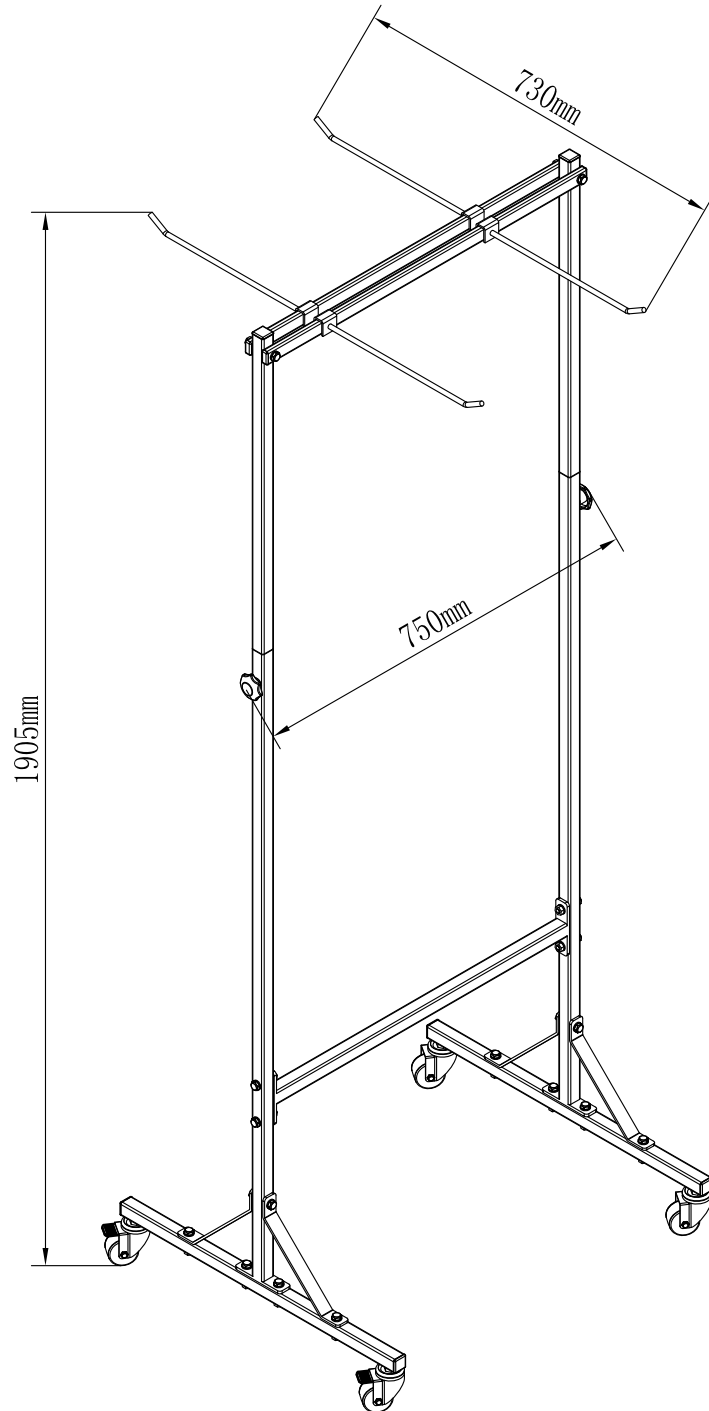
M8\*60 - 2PCS



Nut M10 - 4PCS



# GORILLA SPORTS

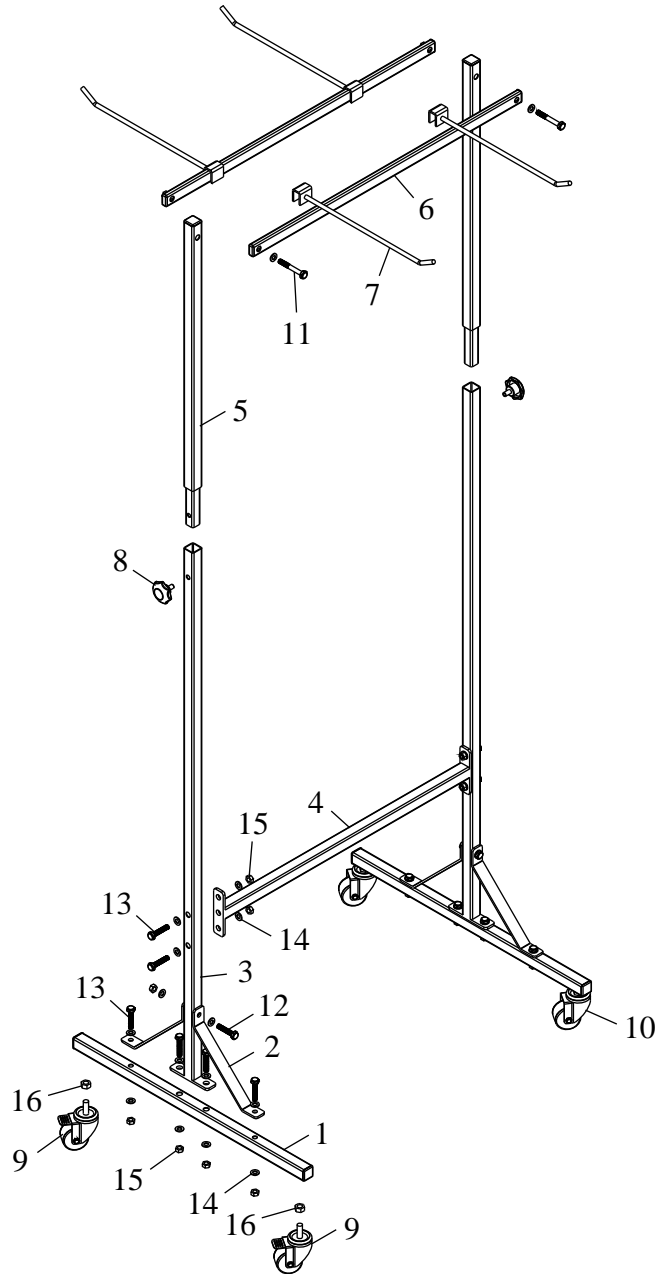


MAX LOAD: 20KG



# GORILLA SPORTS

## EXPLODED DRAWING



NO.	DESCRIPTION	QTY
1	BASE	2
2	JOINT PLATE	4
3	UPRIGHT SUPPORT	2
4	JOINT SUPPORT	1
5	UPRIGHT SUPPORT	2
6	RECTANGULAR TUBE	2
7	HOOK	4
8	PLASTIC HEAD BOLT	2

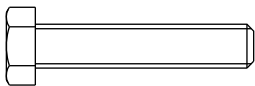
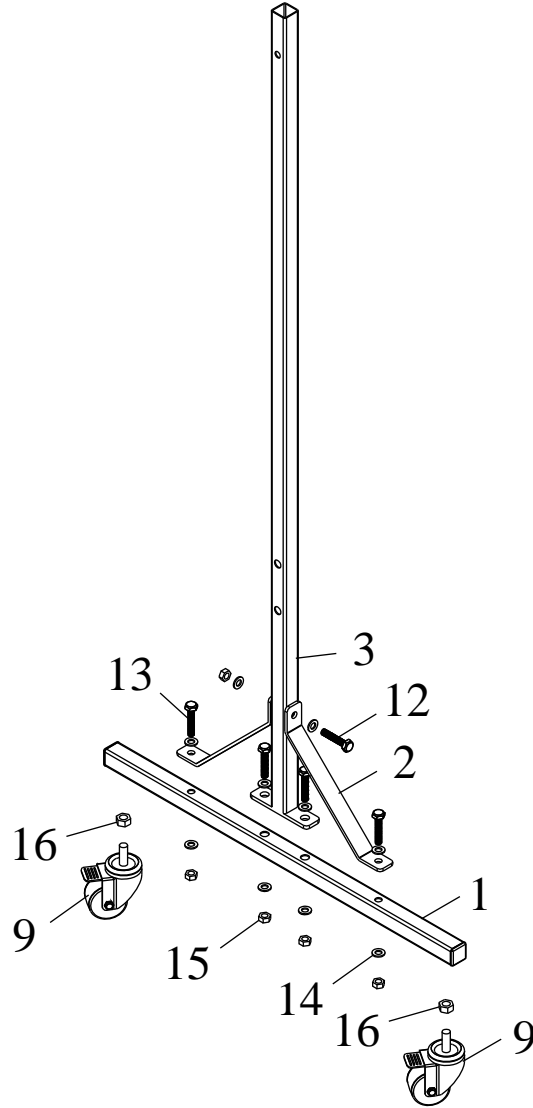
NO.	DESCRIPTION	QTY
9	WHEEL WITH LOCK	2
10	WHEEL	2
11	BOLT M8×60	2
12	BOLT M8×45	2
13	BOLT M8×40	12
14	WASHER 8	32
15	NUT M8	16
16	NUT M10	4



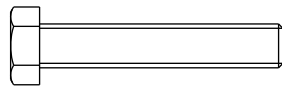
# GORILLA SPORTS

## ASSEMBLY

1



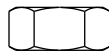
#13-M8\*40 - 4PCS



#12-M8\*45 - 1PC



#14-Washer 8 - 10PCS



#15-Nut M8 - 5PCS

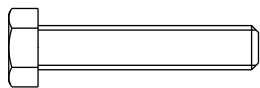
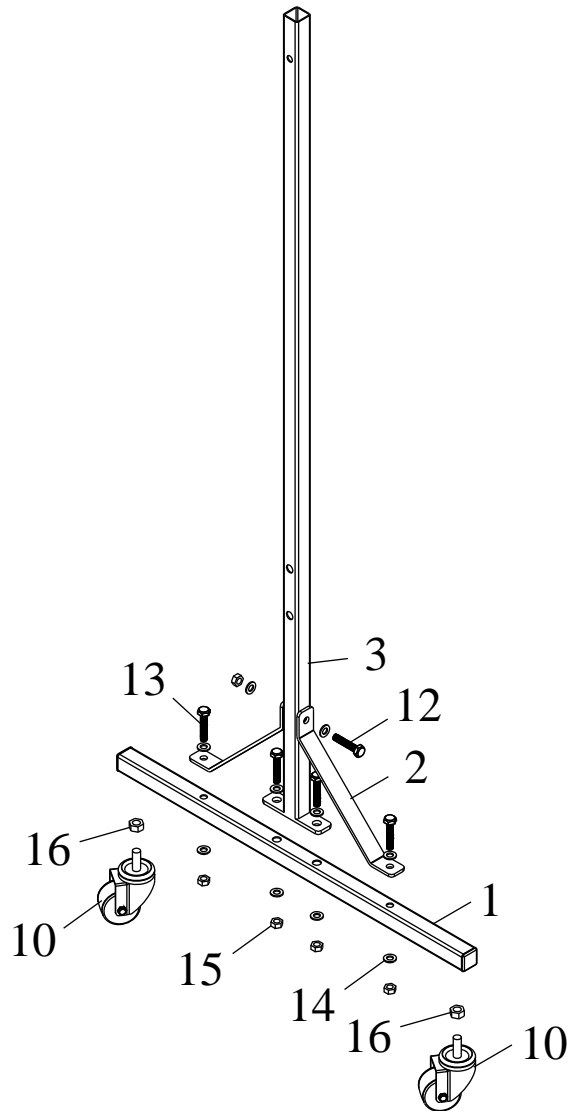


#16-Nut M10 - 2PCS

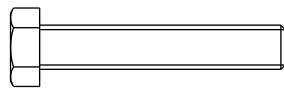


# GORILLA SPORTS

2



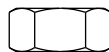
#13-M8\*40 - 4PCS



#12-M8\*45 - 1PC



#14-Washer 8 - 10PCS



#15-Nut M8 - 5PCS

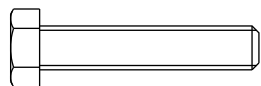
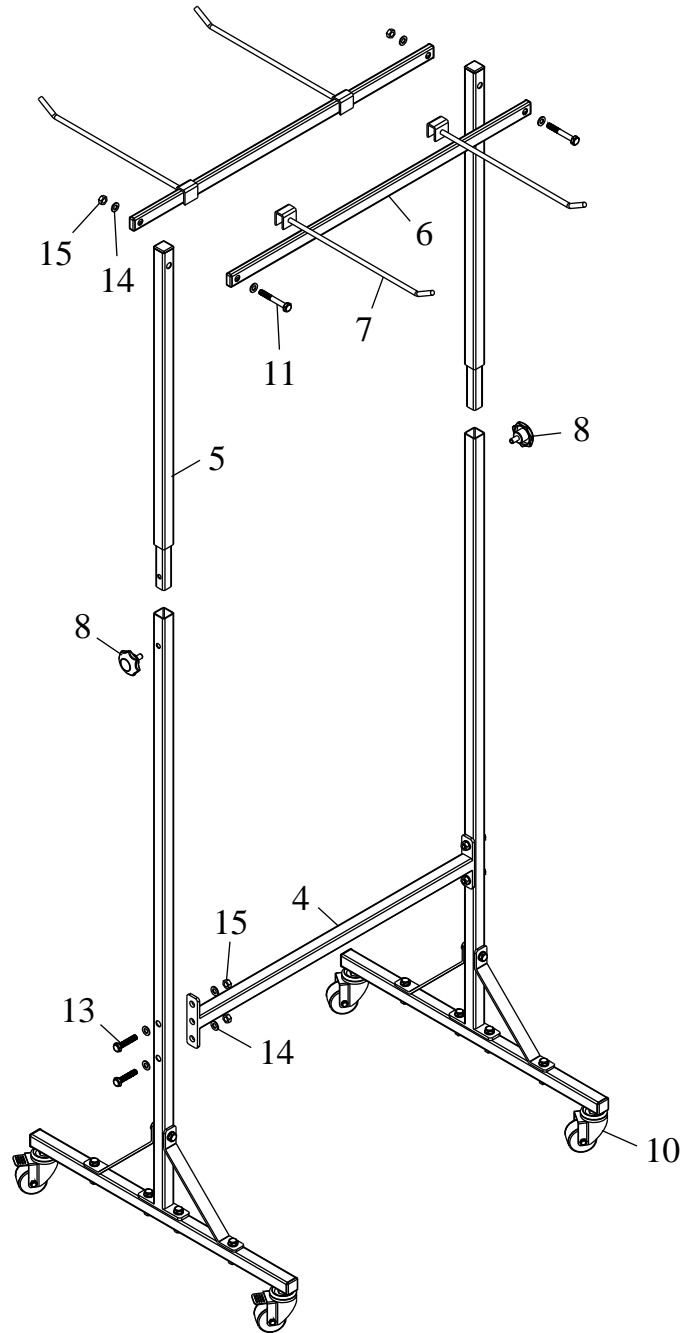


#16-Nut M10 - 2PCS

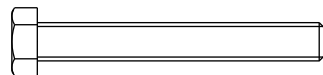


# GORILLA SPORTS

3



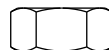
#13-M8\*40 - 4PCS



#11-M8\*60 - 2PCS



#14-Washer 8 - 12PCS



#15-Nut M8 - 6PCS