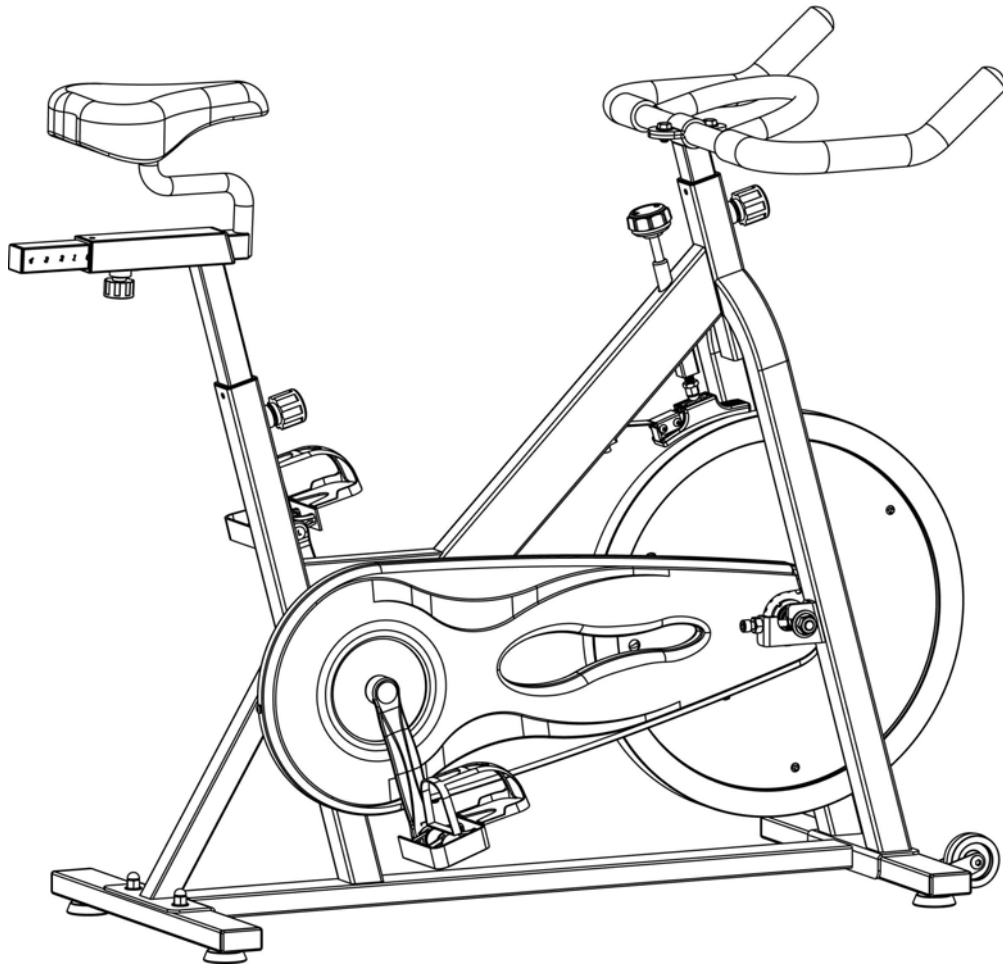
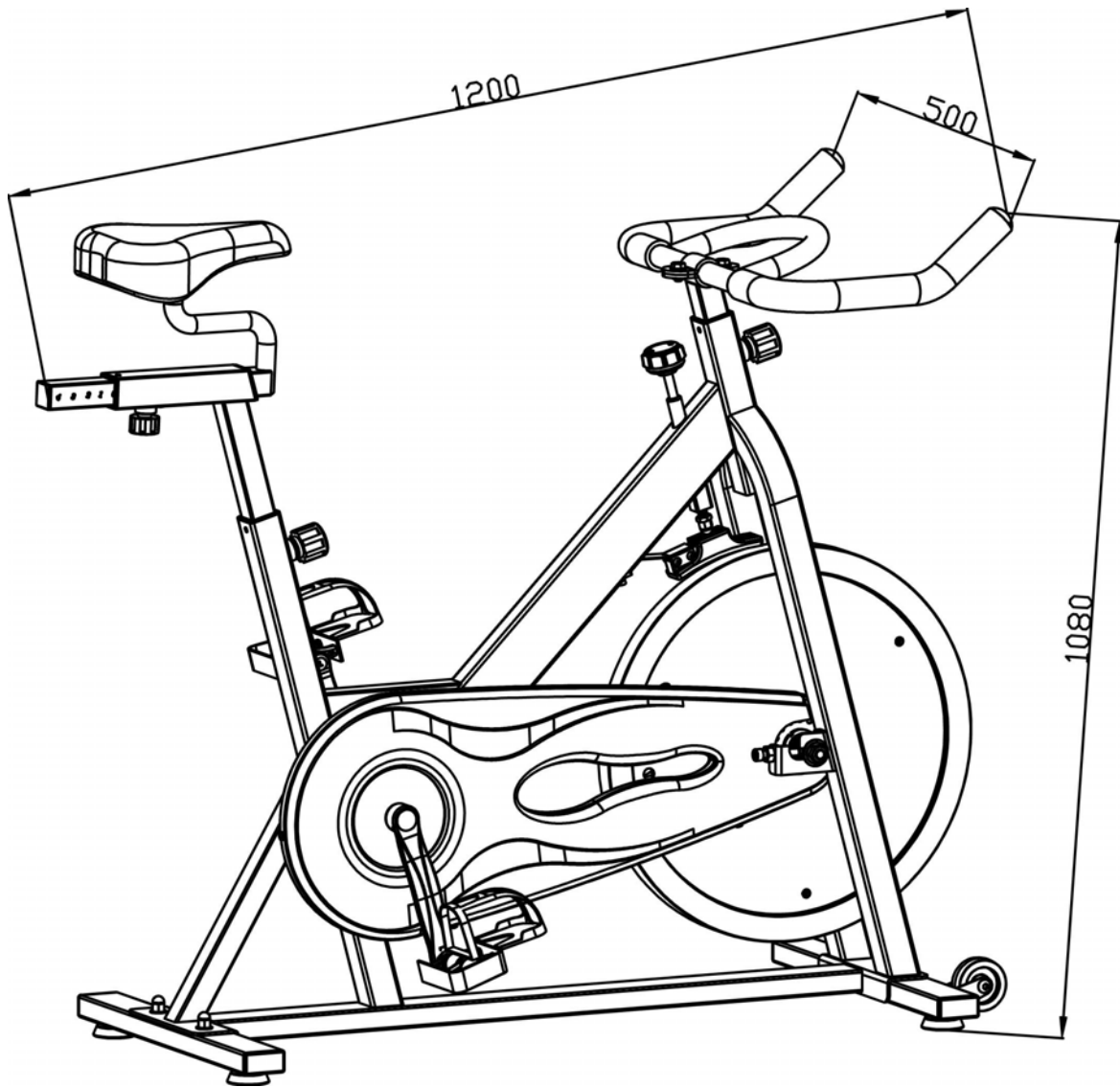


# GORILLA SPORTS

INDOOR CYCLING BIKE (10000618)



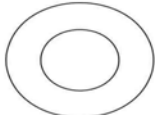


MAXIMUM LOAD:110KGS



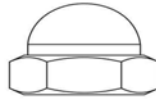
# GORILLA SPORTS

Washer: (  $\varnothing 8$  )



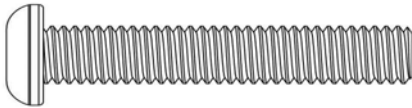
6X

Domed Nuts: ( M8 )



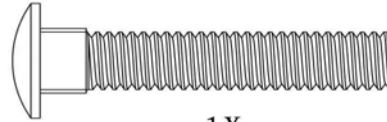
2X

Bolts: ( M8  $\times$  35 )



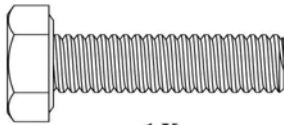
1X

Bolts: ( M8  $\times$  35 )



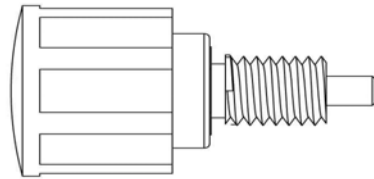
1X

Hex Bolts: ( M8  $\times$  16 )



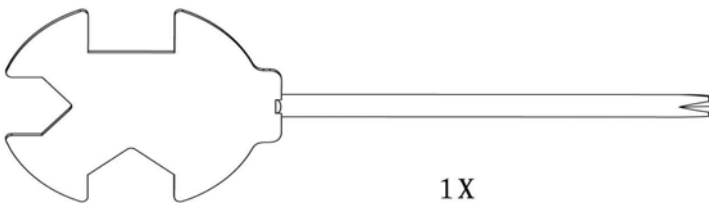
1X

Adjusting Knob: ( M16 )



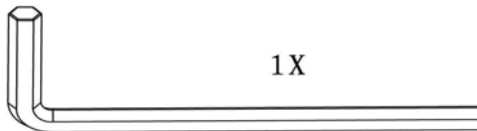
1X

Spanner



1X

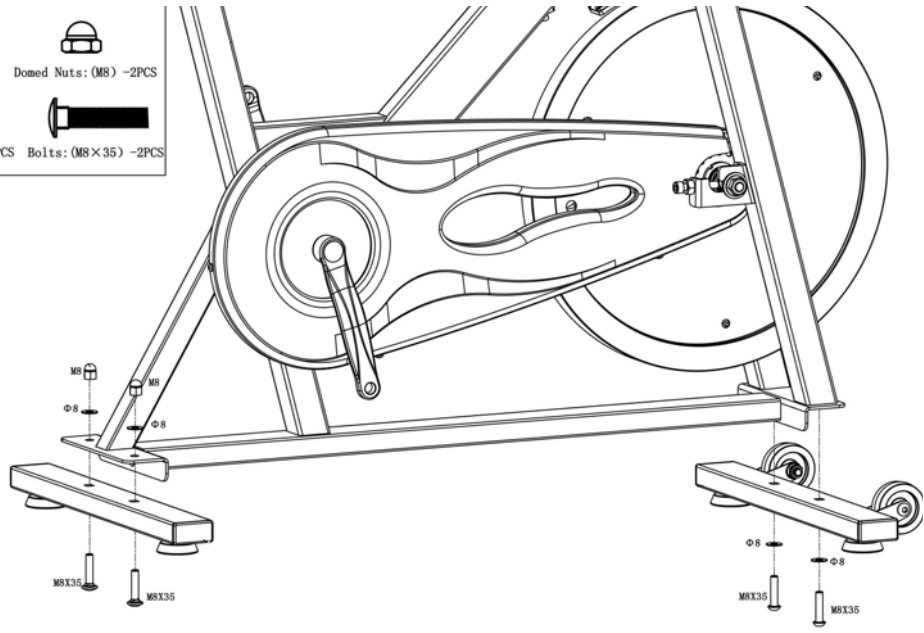
Hex Wrener



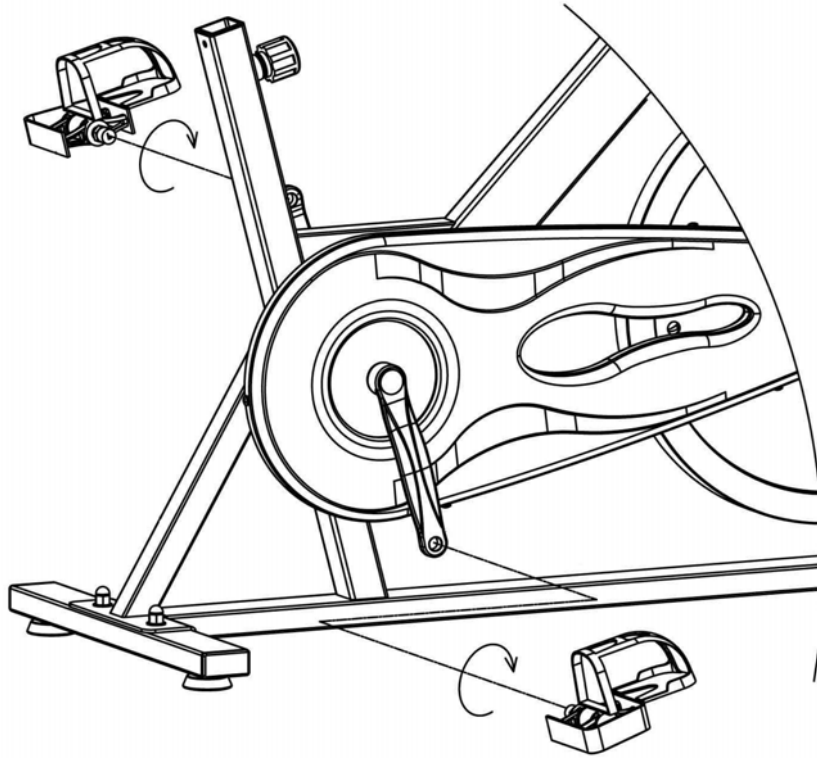
1X

# 1

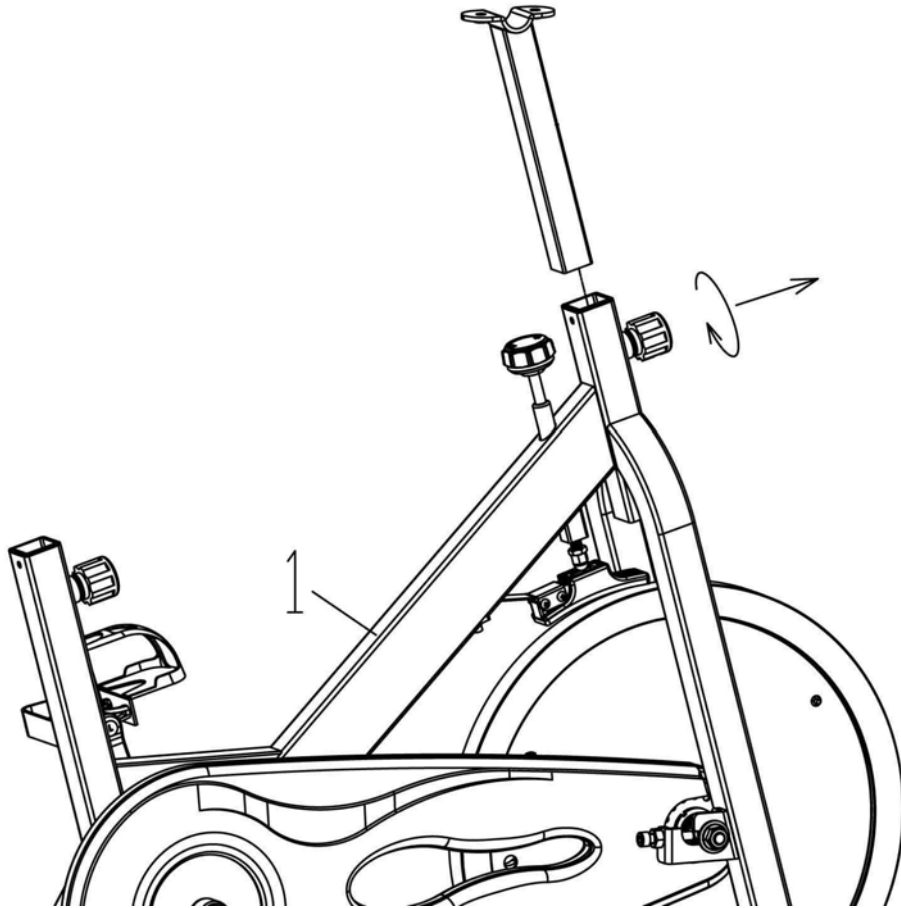
Washer: (φ8) ~4PCS    Domed Nuts: (M8) ~2PCS  
Bolts: (M8×35) ~2PCS    Bolts: (M8×35) ~2PCS



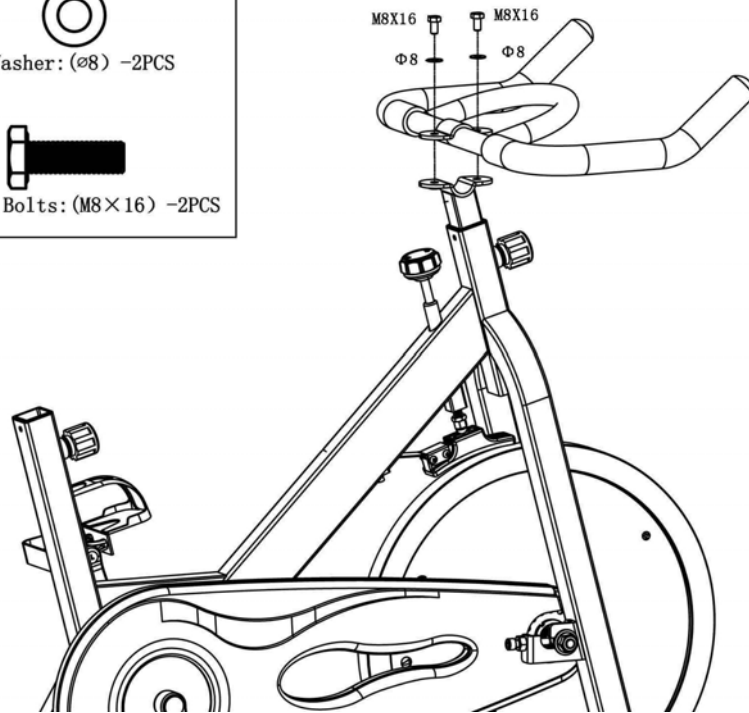
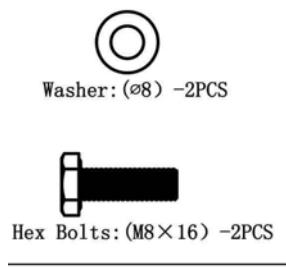
2



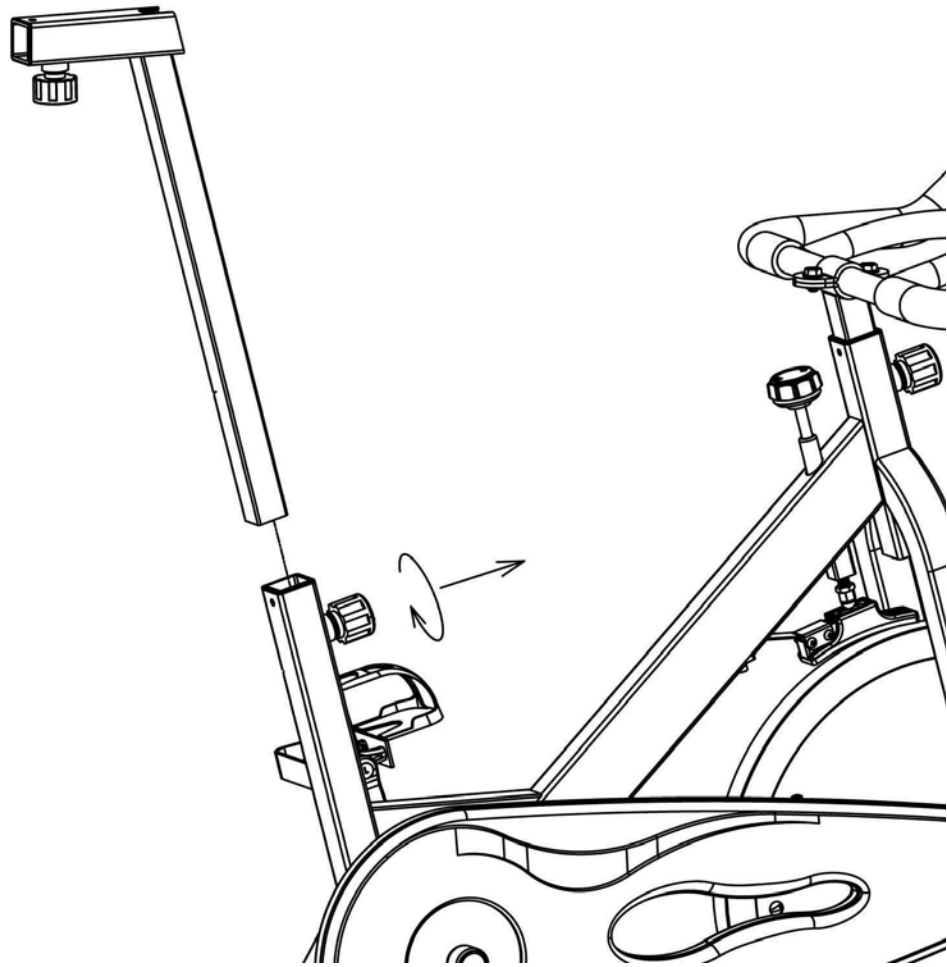
3



4



5





6

